

Astralite® Telescopic



Astralite® Telescopic offers the benefits of the Astralite® range, on a mobile base with an adjustable height stand, with a vertical range between 1,100-1,800 mm.

- Compact, ideal for small examination rooms.
- Commercial UPS power available.
- Ideal for gynaecology.
- Excellent value.

Long Life

LED life is greater than 50,000 hours.

Economical

Low life-time costs means that Astralite® is highly economical. LED is substantially more efficient at producing more surgical quality light for less power.

Designed to Minimise Infections

Anti-microbial additives are used to reduce the growth of harmful bacteria by stopping their reproduction. The smooth, continuous surfaces are easy to wipe clean. The Astralite® light head is sealed against the ingress of dirt and liquids to prevent contamination.

Adjustable Colour Contrast

The colour of the light can be adjusted depending on skin, tissue or wound to select the optimum lighting.

Large Illuminated Field

All models produce a large 250mm max. diameter light field with a 70-140cm working distance.



Astralite® Telescopic



Astralite® Telescopic is designed for all examination needs.

Light Quality Characteristics	AL10	ALE10
Maximum Light Intensity	70,000 Lux (Adjustable 8 Steps)	100,000 Lux (Adjustable 8 Steps)
Power Consumption	<32 VA	
Colour Temperature	3,500°K - 5,000°K (6 Steps)	
Colour Rendition Index (Ra)	>95	
Colour Rendition Index Red Colour (Rg)	>95	
Beam Size d10 @ 1m	180mm	
LED Life	> 50,000 Hours	
Input Volts	100-240 Vac 50/60 Hz	

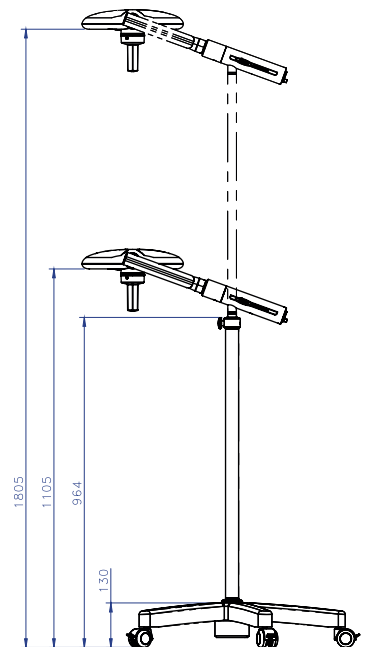
Exceeding Standards

Brandon Medical is certified as an ISO 13485 and ISO 9001 manufacturer, the global standard for medical device manufacturers. Brandon Medical Astralite® conforms to IEC 60601-1, IEC 60601-1-2 and IEC 60601-2-41

Astralite® Telescopic
Astralite® Telescopic Mobile D/C input ALE10MTD
Astralite® Telescopic Mobile A/C input ALE10MTA
Astralite® Telescopic Mobile D/C input AL10MTD
Astralite® Telescopic Mobile A/C input AL10MTA
Bracket for UPS power - commercial unit
UPS power - commercial unit



UK Customs
Approved Exporter
Status GB 16164/13



Brandon Medical Co Ltd, Elmfield Road, Morley, Leeds, LS27 0EL
 T: +44 (0)845 1243 666 F: +44 (0)845 1243 667
 T: +44 (0)113 2777 393 F: +44 (0)113 2728 844
 E: enquiries@brandon-medical.com
www.brandon-medical.com

In line with the Brandon policy of progressive improvement, the right is reserved to alter specifications and/or prices without notice. Brandon Medical, HD-LED, Quasar, Astramax, Astralite, Coolview, Symposia, Atlas Pendants, COPAX and Galaxy Ultra are registered trademarks of Brandon Medical Co Ltd.

20/08/2019
A2111-0015